

## TG8256B Thermal & Optical Bi-spectrum Network Camera



## Overview

TG8256B Thermal & Optical Bi-spectrum Network Camera, which is capable of highly accurate body temperature measurement, to within  $\pm 0.3$  °C. The camera features a built-in AI algorithm for multi-person measurements up to 3m distance, enabling fast and non-contact access. Perfect for adjunct use in hospitals, sub-acute health settings, public areas (i.e. airports), and more. Also can be widely used in close-range scene monitoring, such as indoor fire prevention, warehouse fire prevention, charging pile temperature monitoring and other fields.



## Present Situation

During the epidemic, entrances and exits in public places basically use manual close-inquiries, manual body temperature measurement, manual registration, and personal mobile phone declarations as methods to prevent and control the epidemic. This management method requires a large number of staffs, plus, staffs' self-protection standards are not uniform, which is easy to cause cross-infection. In addition, the information of the tested personnel is not comprehensive, and in the event of a new epidemic, there is no good traceability mechanism.

# Solution



HDMI



HD TV



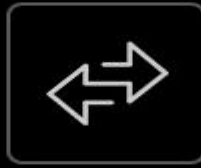
# Product Features



**Multi-Person  
Detection**



**AI Algorithm**



**Fast Pass**



**Precision:  
min  $\pm 0.3^{\circ}\text{C}$**



**256X192  
High Resolution**



**Detection Distance:  
1-3 meter**



**High Temp  
Alarm**



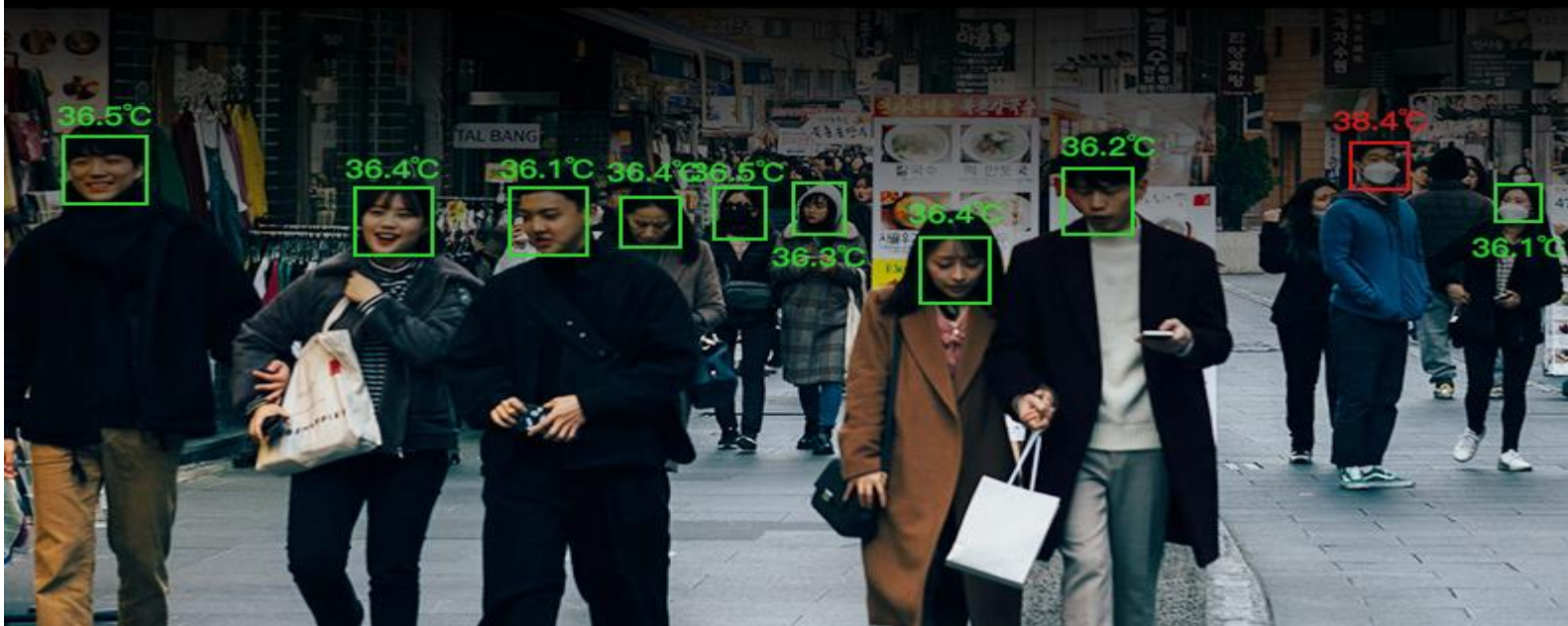
**PC Data  
Transmission**



**Day/Night**



**Real-time Video  
Transmission**



- High sensitivity sensor with 256 x 192 thermal resolution;
- NETD is less than 60mk (@25° C, F#=1.0);
- Temperature detection rang:-15° C-150° C; precision:min  $\pm 0.3^{\circ}\text{C}$ ;
- Support real-time display and overlay of human body temperature OSD;
- 1/2.8" 2.0M CMOS sensor;
- High quality imaging with 1920X1080@30fps resolution;
- Support for multi-person detection;
- Support for capture and save in pc of personnel in and out;
- Support 1\*HDMI Output to HD TV.

# Specification

<b>Mode</b>	<b>TG8256B</b>
<b>Thermal</b>	
Image Sensor	VOx Uncooled Focal Plane Arrays
Resolution	256x192
Pixel Interval	12μm
NETD	Less than 60 mK (@25°C,F#=1.1)
Aperture	F1.0
Field of View	56° × 42° (H × V)
<b>Optical</b>	
Image Sensor	1/2.8" 2.0M Pixel CMOS
Resolution	1920x1080P
Min. Illumination	Color: 0.005Lux @ (F1.2, AGC ON), B/W: 0.001 Lux @ (F1.2, AGC ON)
Field of View	84° × 45° (H × V)
Focal Length	4mm
Shutter Speed	1s to 1/100,000s
White Balance	Auto/Manual/ATW (Auto-tracking White Balance)/Indoor/Outdoor/Daylight Lamp/Sodium Lamp
Day & Night	ModelR cut filter with auto switch
WDR	80 dB
<b>Smart Function</b>	
Face snapping	Built-in deep learning AI algorithm, Supports simultaneous detection of 20-30 faces
Temperature Measurement	Support global and local temperature
Temperature Range	From -15°C to +150°C
Temperature Accuracy	Target temperature 35°C ^ 38°C ±0.3 °C Target temperature 20°C ^ 33°C ±0.6 °C Target temperature 38°C ^ 50°C ±0.6 °C
<b>Network</b>	
Main Stream	Optical :25fps(1920 × 1080, 1280 × 720)
Sub Stream	Thermal: 25fps(704 × 576, 352 × 288)
Video Compression	H.264 (Baseline/Main/High Profile) /MJPEG/H.265

Audio Compression	G .711u/G.711a/G.722.1/MP2L2/G.726/PCM
Protocols	TCP/IP, ONVIF, GB/T 28181, DHCP, RTP, RTSP, PPPoE, UPnP, UDP
API	ONVIF (Profile S, Profile G, Profile T), SDK
<b>Hardware Interface</b>	
Relay	1 channel
Network	1 10M/100M Ethernet port (RJ-45)
Power	DC12V
Audio And Video Interface	Support HDMI*1
<b>General</b>	
Web Client Language	languages English, Chinese
Power	DC 12V, 0.65A
Work Temperature/Humidity	From -20°C to 55°C; Humidity: 95% or Less
Protection Level	IP65
Dimension	246 mm × 101 mm × 81 mm (with bracket)
Weight	Approx. 1.0 kg

# Product Interface



Number	Interface name	Interface Description
1	Power Interface	12VDC
2	Network Interface	RJ45 interface
3	Relay Interface	+ : NO Normally open port - : COM common port
4	Audio Interface	1: Audio Input 2: Audio Ground 3: Audio Output 4: Null
5	HDMI Port	HDMI Output

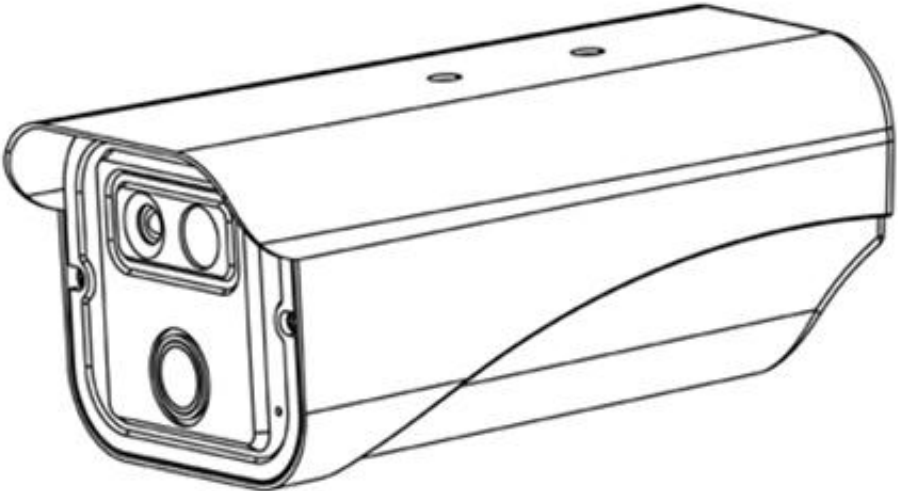
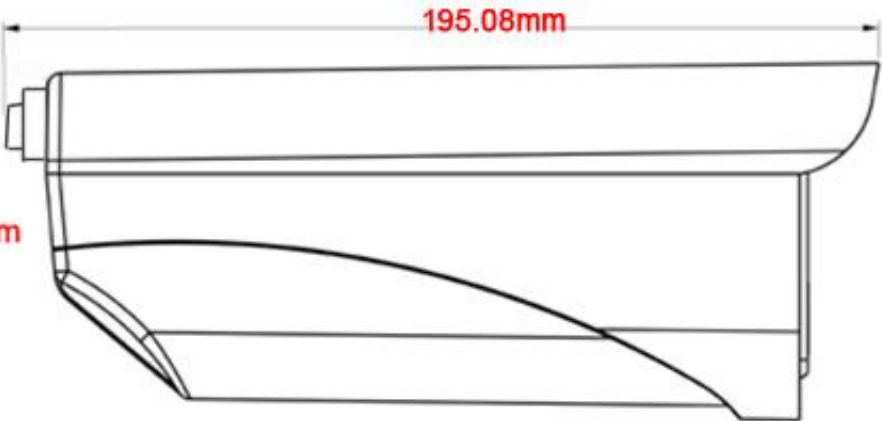
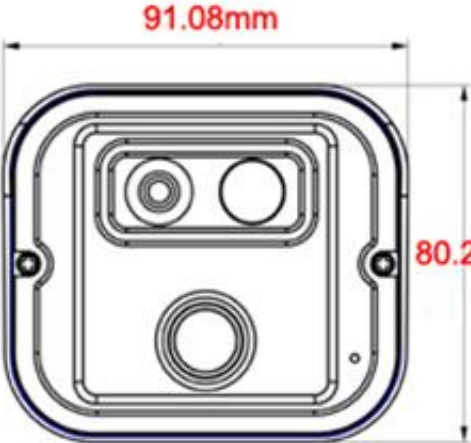


## Application Scenarios

TG826B Thermal & Optical Bi-spectrum Network Camera can be used in Airport, Office, School, Enterprise Park Hospital Supermarket. CCDCAM's Thermal & Optical Bi-spectrum Network cameras are designed for the detection of skin-surface temperatures so as to achieve rapid preliminary screening in public areas. Actual core body temperatures should be further confirmed using clinical measurement devices.. Under any circumstances, it is highly recommended to use CCDCAM's thermal cameras in accordance with local laws and regulations.



# Dimensions



**Shenzhen CCDCAM Technology Co.,Ltd.**

7F Huolibao BLD, High-tech North 6 Road No.31, High Teck Park, Nanshan, Shenzhen,China  
(518057)

Email: [sydney@ccdcam.com](mailto:sydney@ccdcam.com) , [sales@ccdcam.com](mailto:sales@ccdcam.com)

<http://www.ccdcam.com>

©2021 Shenzhen CCDCAM Technology Co.,Ltd. All rights reserved.

\*Product specifications and availability are subject to change without notice.